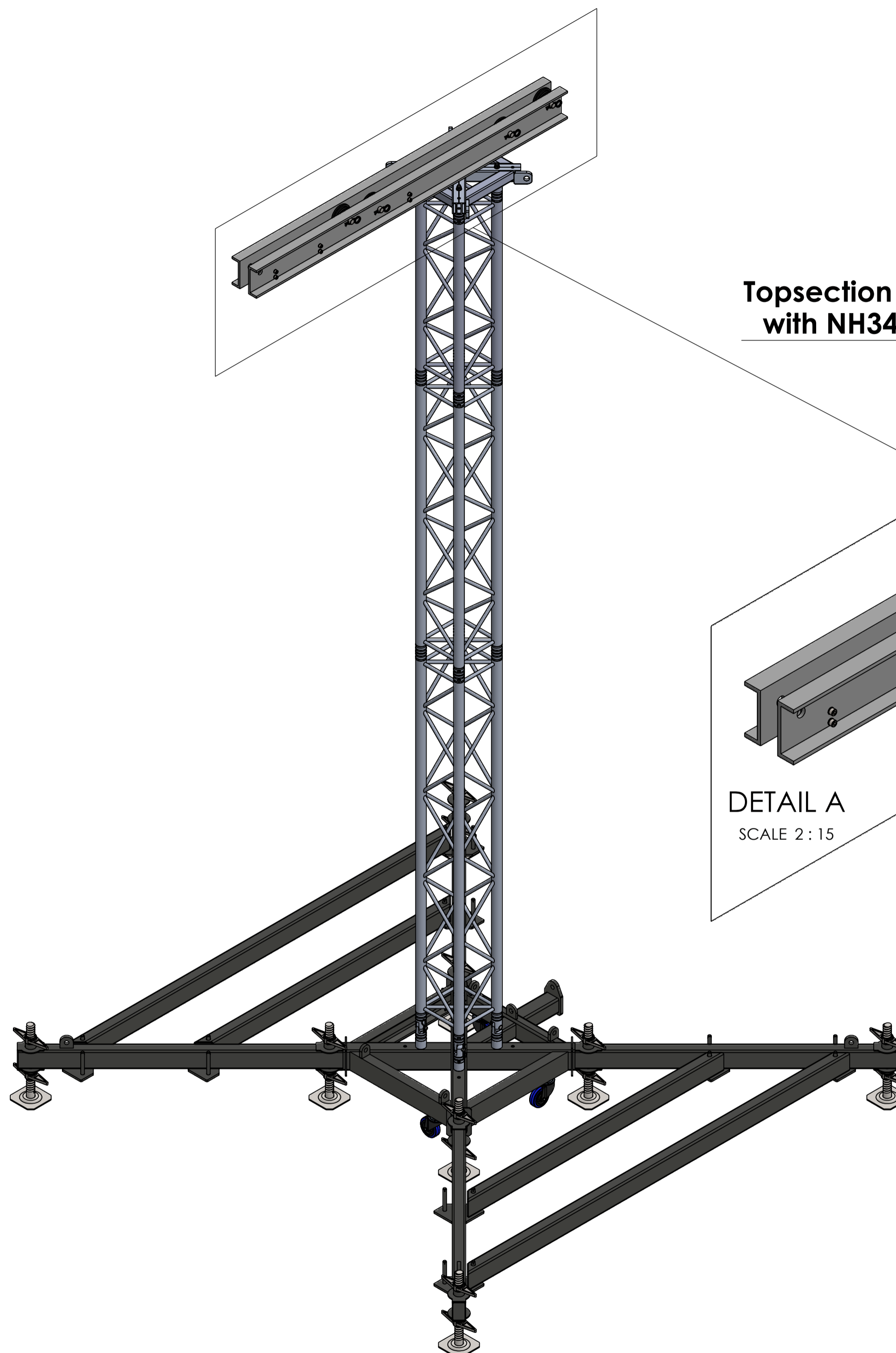
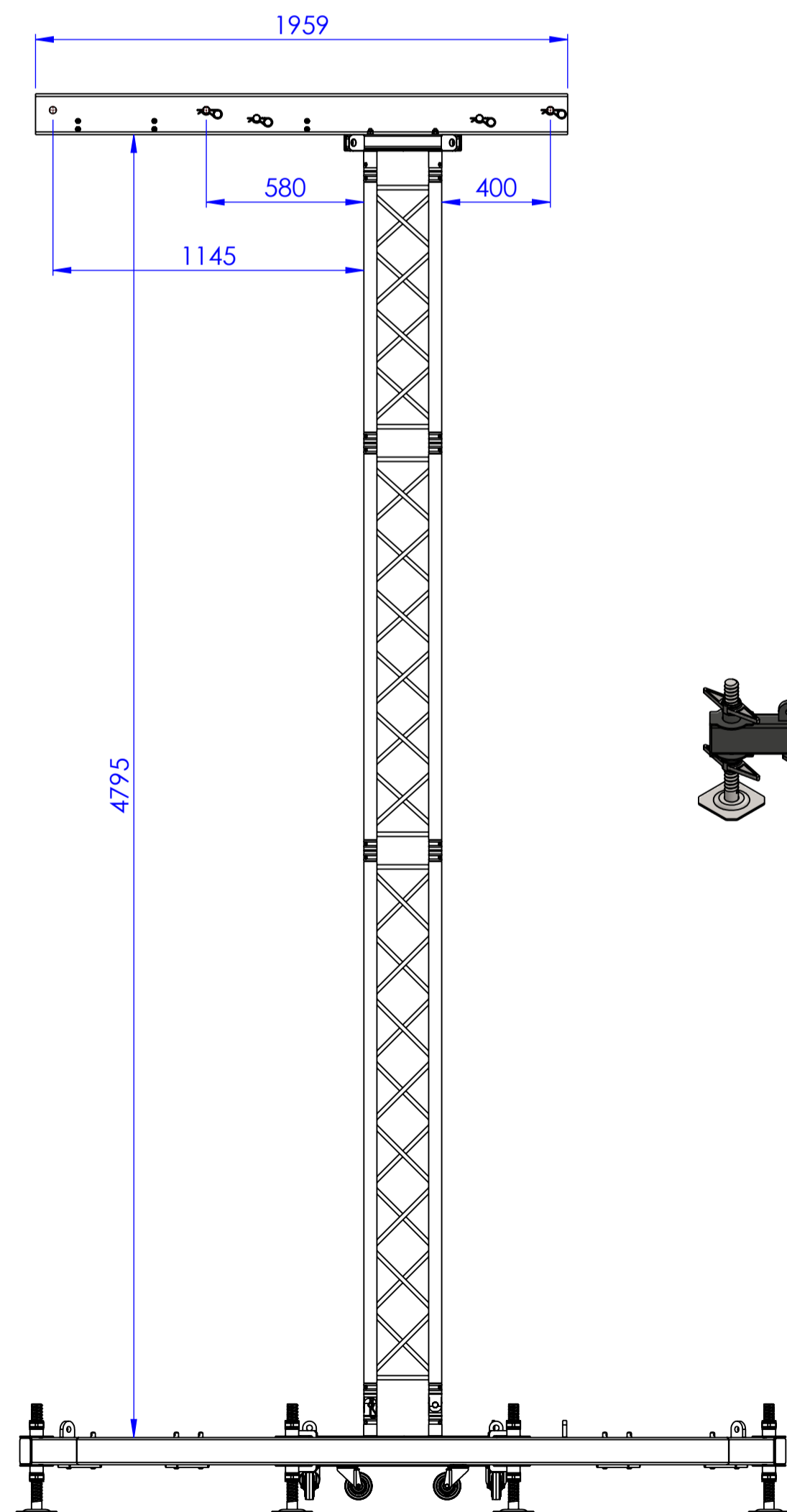
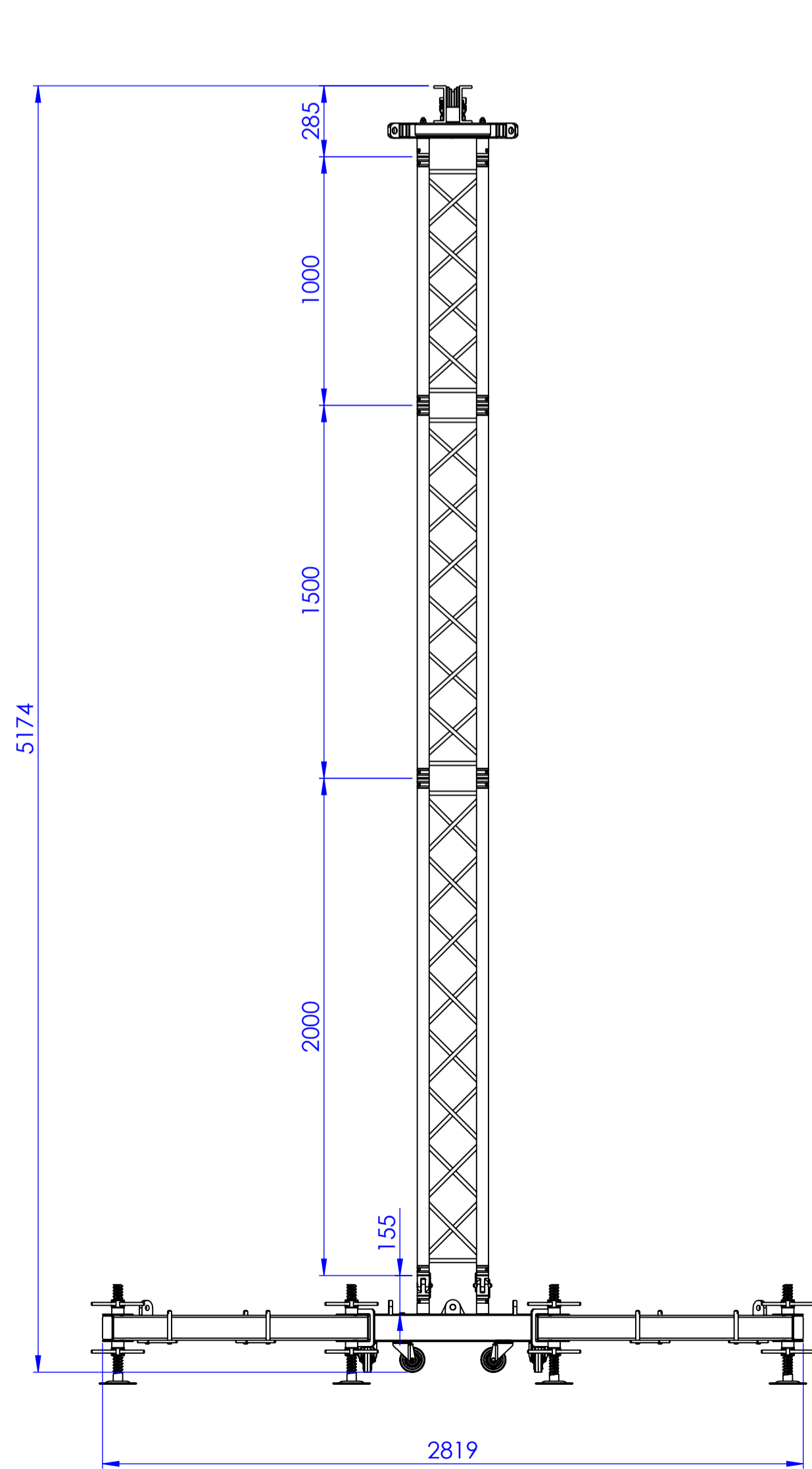
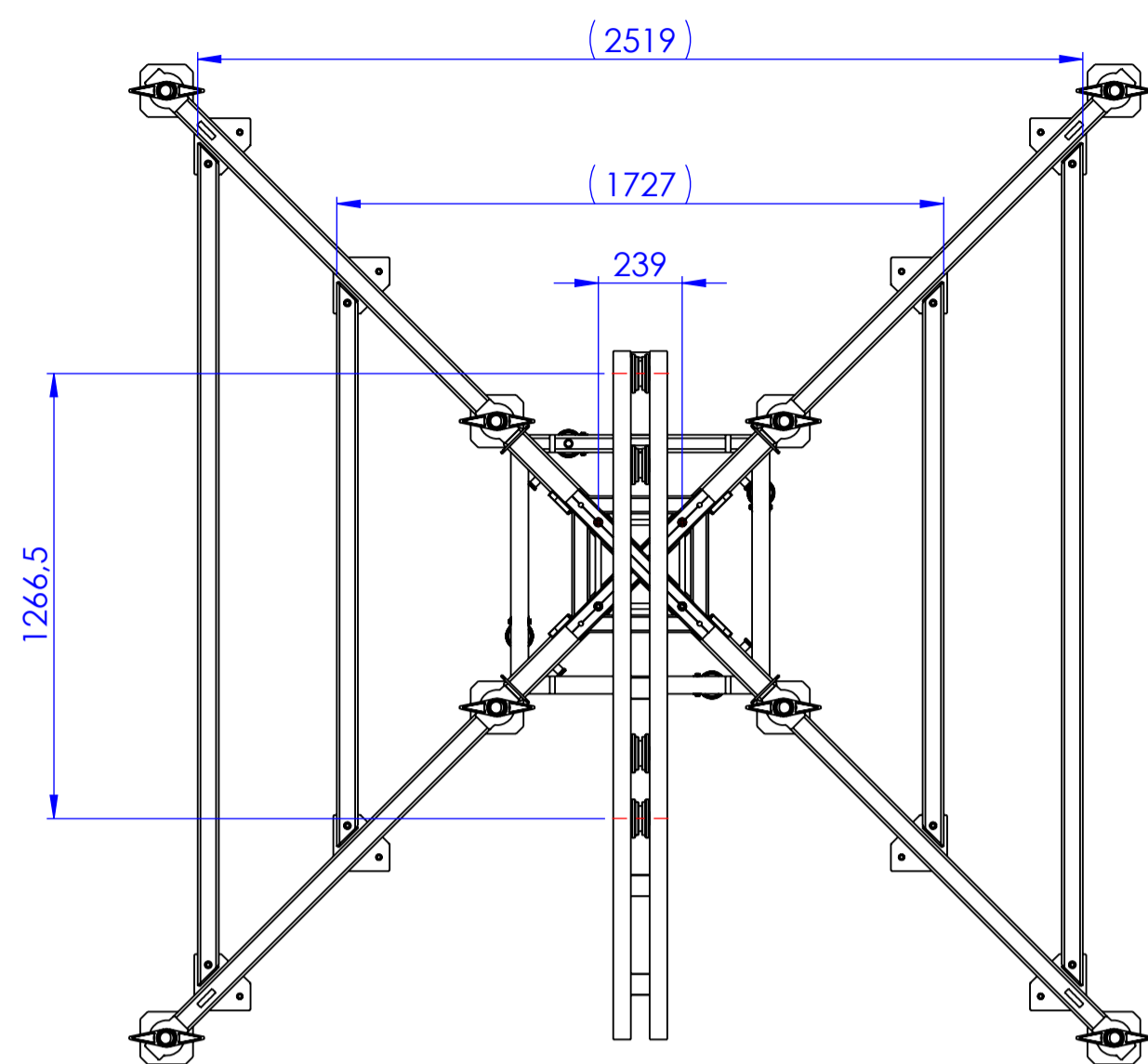
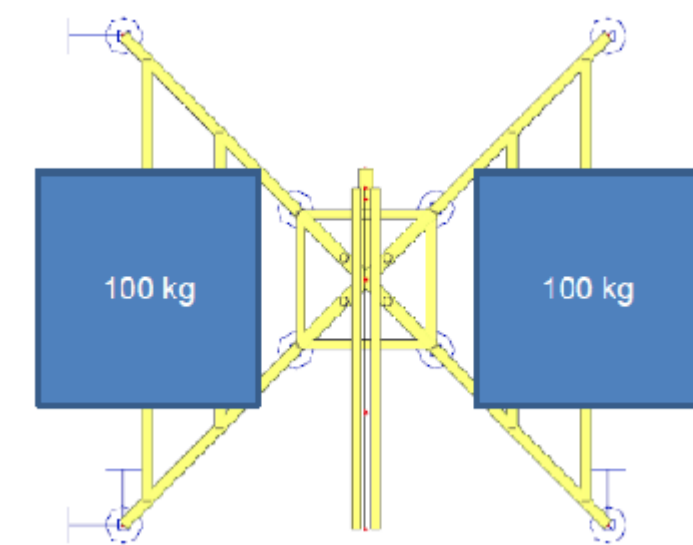


**PA-Rigging towers
NEXT TRUSS**

NOTE
The maximum load is 400 kg
The construction is ballasted sideways with 100 kg on each side
The maximum front area of the speakers is 2,5 m², and 1,25 m² for the side



**Topsection compatible
with NH34 and NH44**

DETAIL A
SCALE 2 : 15

Pos.	Quantity	Dimensions	Material	Partname	Notes
11	1	Topsection	EN AW-6082 T6	NT-TOP-PA-01	Compatible NH34 - NH44
10	1	NH34-100	EN AW 6082-T6	NH34-100	
9	1	NH34-150	EN AW 6082-T6	NH34-150	
8	1	NH34-200	EN AW 6082-T6	NH34-200	
7	4	Hingeparts male + female	EN AW-6082 T6	Hinge set APL	Hingeset Male+Female
6	4	NC1 ø48 L= 75mm	EN AW-6082 T6	NC1-BOB75	
5	2	1610x100x60	S235 & S355	NT-BB-I	Inside
4	2	2402x100x60	S235 & S355	NT-BB-O	Outside
3	8	375 x 100	S235 JR	06-016-006	Layherspindle
2	4	Outrigger for NT-BASE 1630x160x120	S235 & S355	NT-OUTR-PA	
1	1	Steelbase 780x780x110	S235 & S355	NT-BASE-PA	With wheels

Welding Tol. EN-ISO 13920-B Material: Not Specified Designed by:
 General Tol. EN-ISO 2768-M Weight(g): 323170.77 J. Rongen
 Weld Spec. EN 2253 Fillet Weld Type: A3 (unless otherwise posted)
 EN 1090-3 Format: mm Scale: 1:20 Customer: NEXT TRUSS
 Date: 13-7-2023 Project name / Description: PA-Rigging towers
 Drawing Title: NRT30-5 RE
 Rev: A A1



Castorweg 6
8938BE Leeuwarden
T. +31(0) 8507 970000
info@next-truss.com
www.next-truss.com