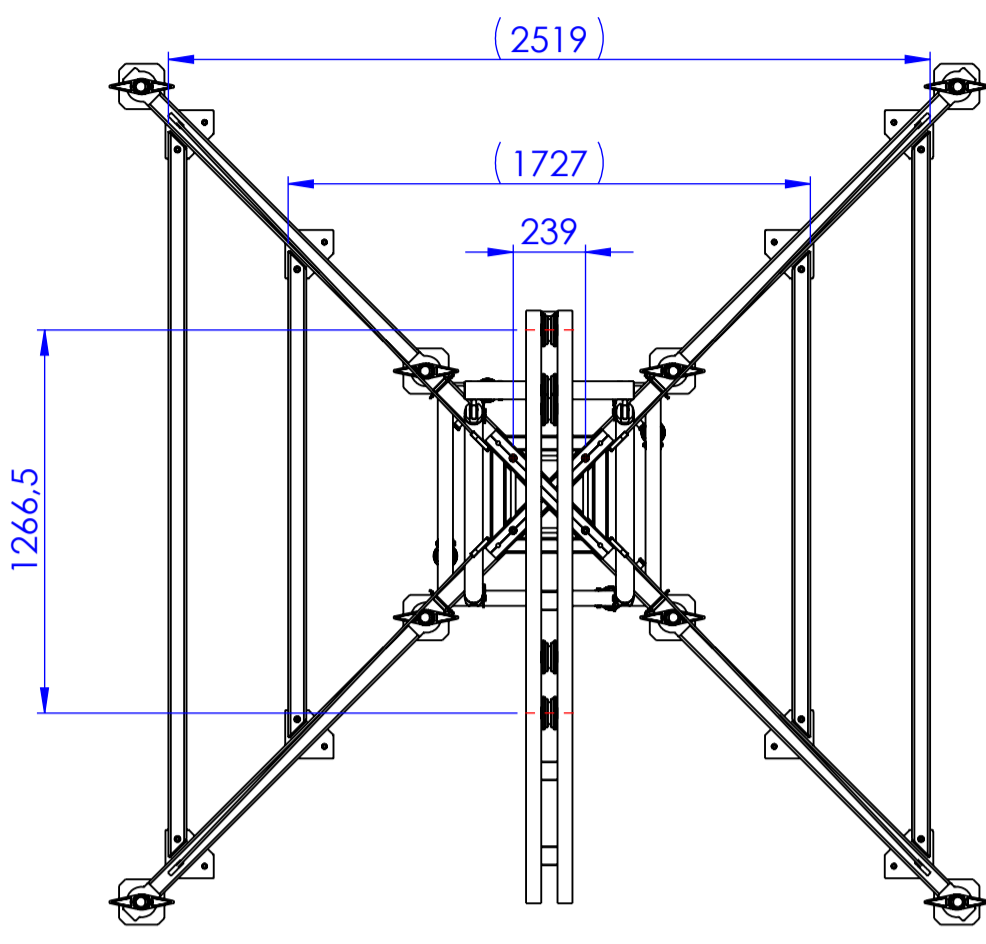
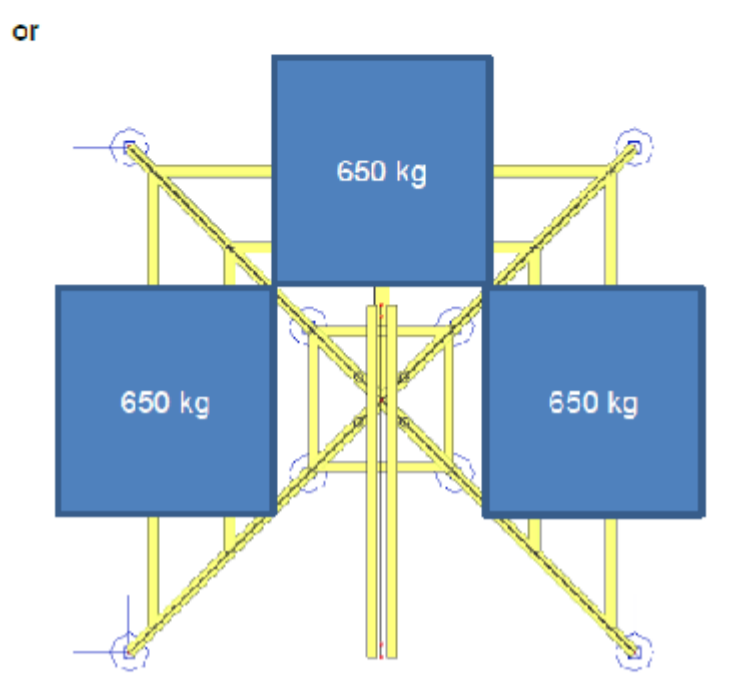
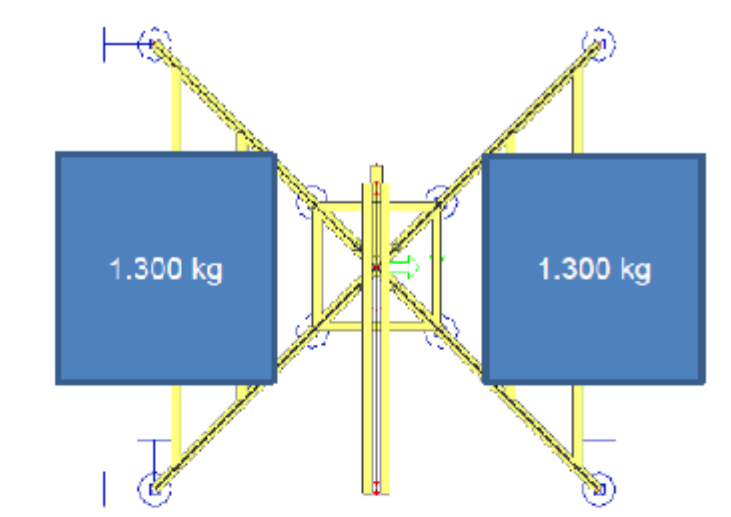
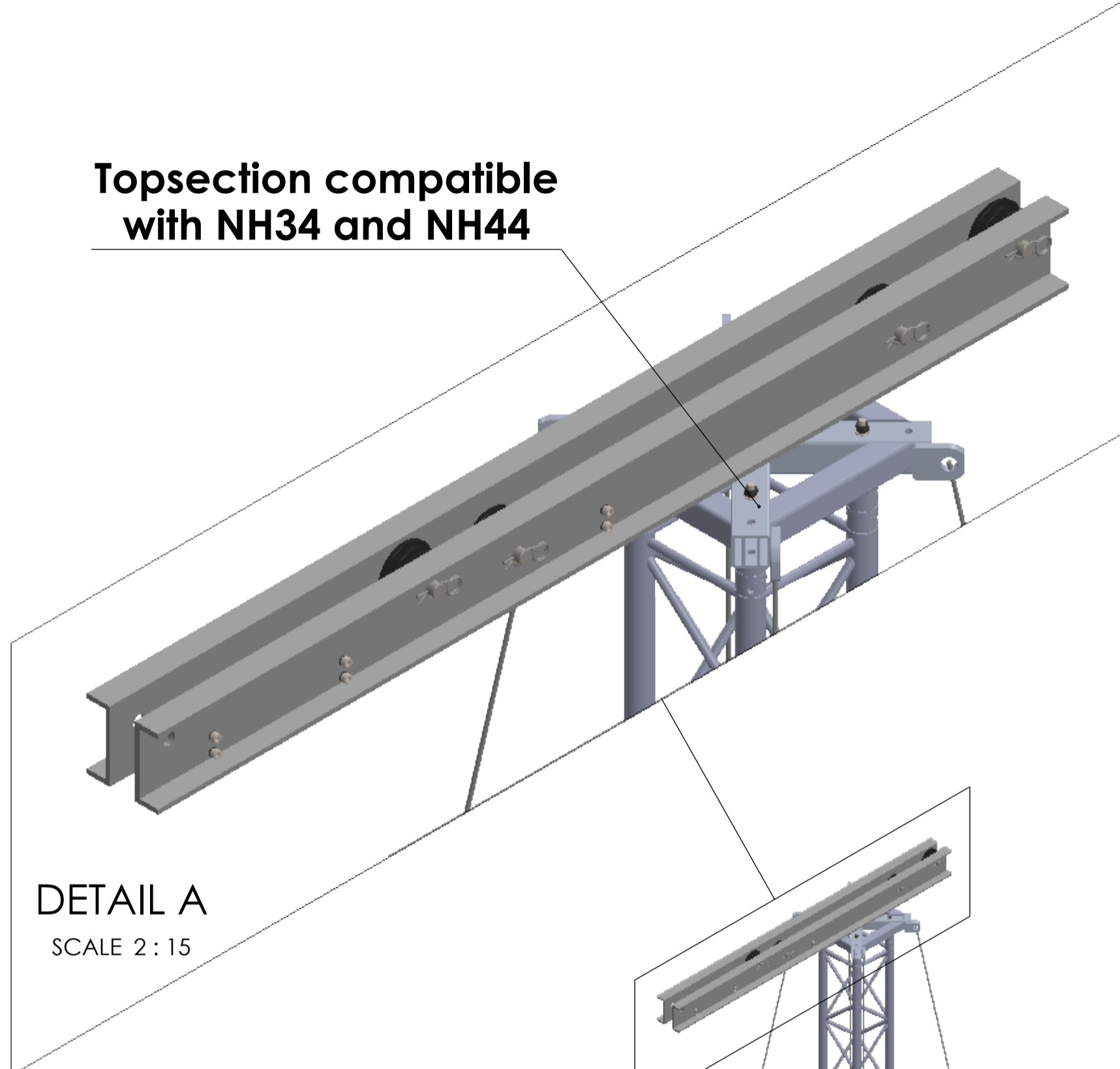


**PA-Rigging towers  
NEXT TRUSS**

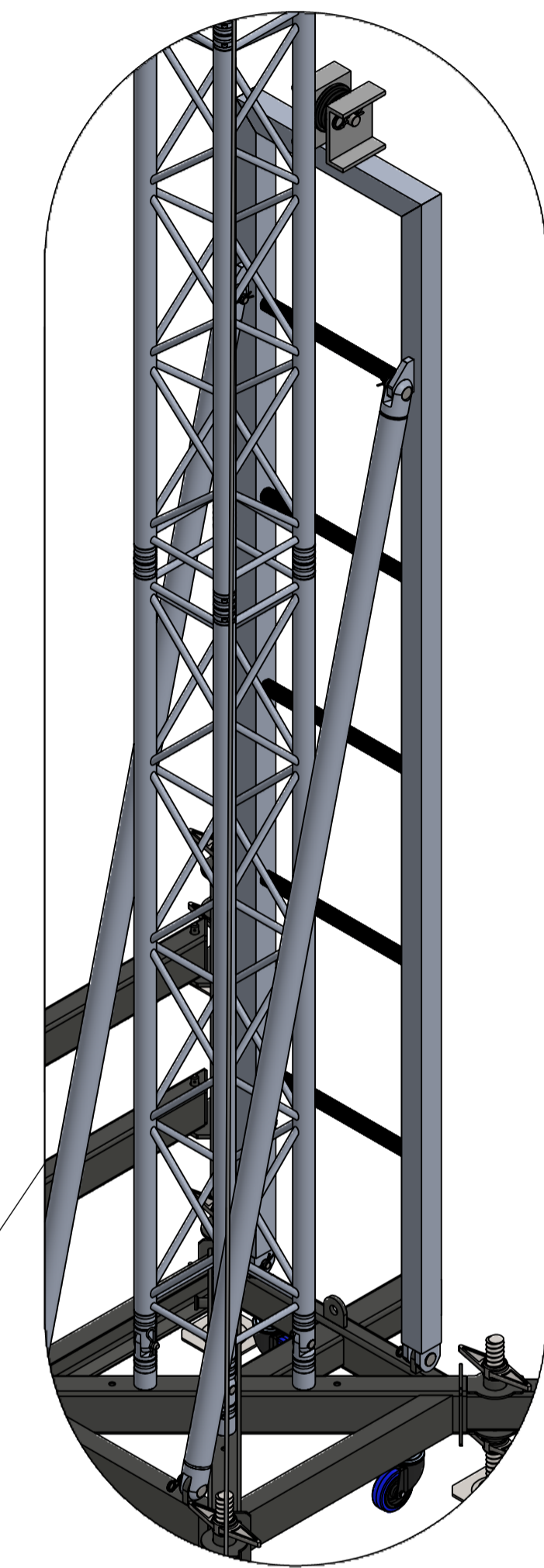
**NOTE**  
The maximum load is 800 kg  
The construction is ballasted sideways with 1300 kg on each side  
**OR**  
The construction is ballasted 3-ways with 650 kg on each side  
The maximum front area of the speakers is 5 m<sup>2</sup>, and 2,5 m<sup>2</sup> for the side



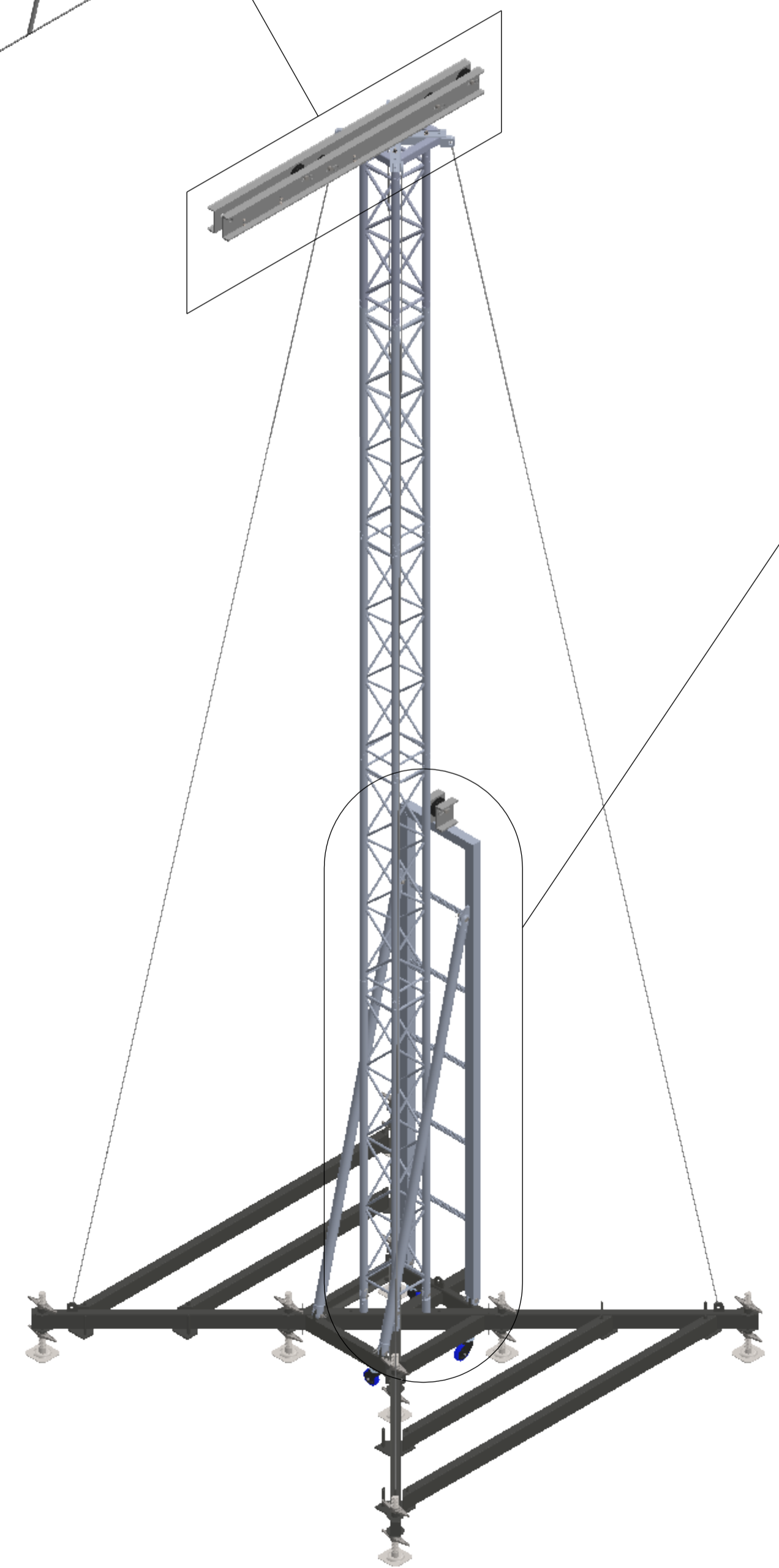
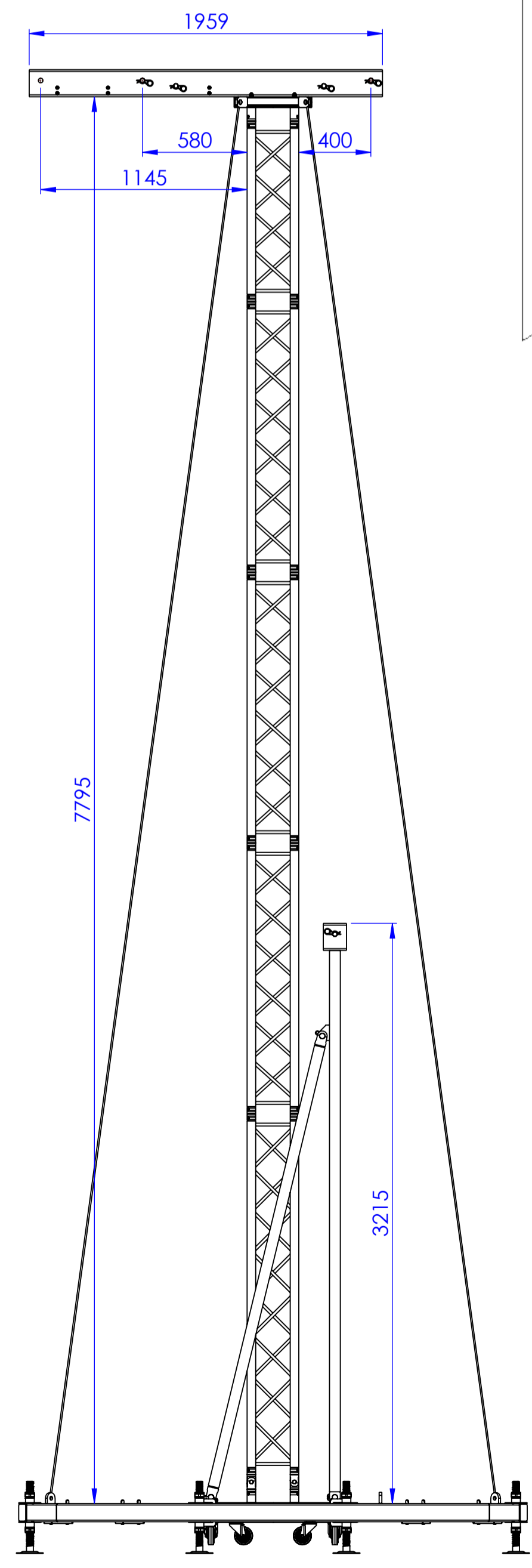
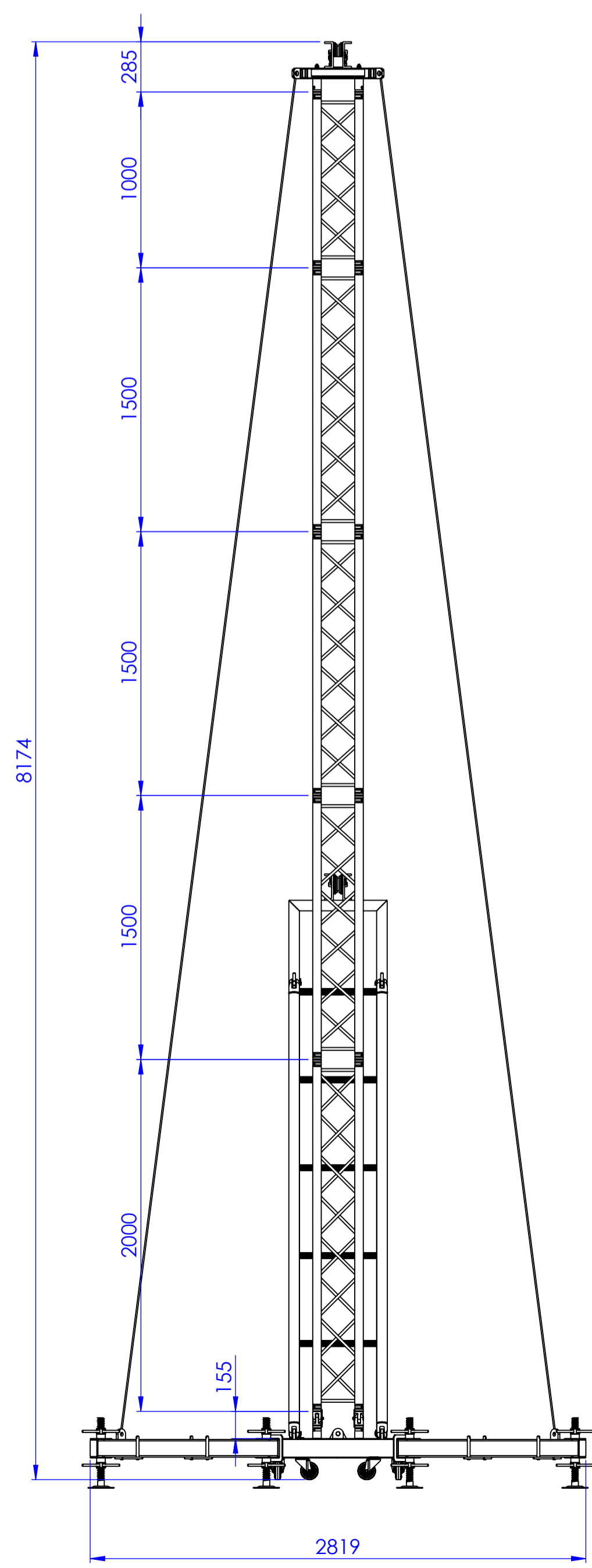
Topsection compatible with NH34 and NH44



**DETAIL A**  
SCALE 2 : 15



**DETAIL B**  
SCALE 2 : 25



14	2	Stabilizer for erector frame	EN AW 6082-T6	NEXT-TE5-P8-001	
13	1	Erector frame (Lever for tower)	EN AW 6082-T6	NEXT-PA-TE5-01	
12	4	Steelcable sets	Steel	NRT-30-8-CS	Also fits NRT40-10 tower
11	1	Topsection	EN AW-6082 T6	NT-TOP-PA-01	Compatible NH34 - NH44
10	1	NH34-100	EN AW 6082-T6	NH34-100	
9	3	NH34-150	EN AW 6082-T6	NH34-150	
8	1	NH34-200	EN AW 6082-T6	NH34-200	
7	4	Hingeparts male + female	EN AW-6082 T6	Hinge set APL	Hingeset Male+Female
6	4	NC1 ø48 L= 75mm	EN AW-6082 T6	NC1-BOB75	
5	2	1610x100x60	S235 & S355	NT-BB-I	Inside
4	2	2402x100x60	S235 & S355	NT-BB-O	Outside
3	8	375 x 100	S235 JR	06-016-006	Layherspindle
2	4	Outrigger for NT-BASE 1630x160x120	S235 & S355	NT-OUTR-PA	
1	1	Steelbase 780x780x110	S235 & S355	NT-BASE-PA	With wheels
Pos.	Quantity	Dimensions	Material	Partname	Notes

Welding Tol. EN-ISO 13920-B Material: Not Specified Designed by:  
 General Tol. EN-ISO 2768-M Weight(g): 389296.25 J. Rongen  
 Weld Spec. EN 2253 Fillet Weld Type: A3 (unless otherwise posted)  
 EN 1090-3 Scale: 1:25 Customer: NEXT TRUSS  
 Format: mm  
 Date: 13-7-2023 Project name / Description: PA-Rigging towers  
 Drawing Title: NRT30-8 RE  
 Rev: A A1

